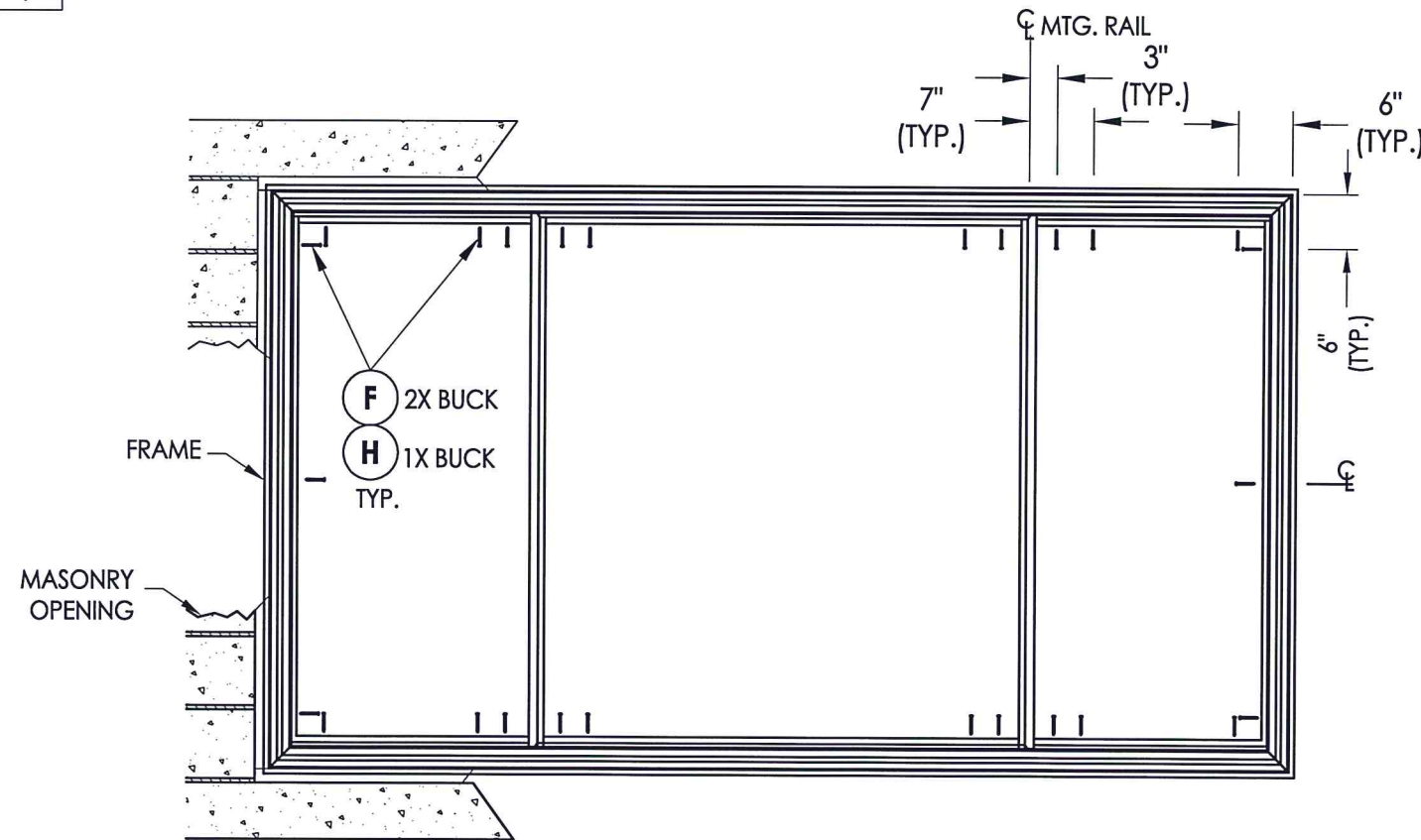


2X BUCK ANCHORING



FRAME ANCHORING

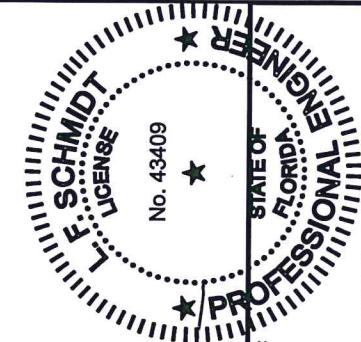
CONCRETE ANCHOR NOTES:

1. Concrete anchor locations at the corners may be adjusted to maintain the min. edge distance to mortar joints.
2. Concrete anchor locations noted as "MAX. ON CENTER" must be adjusted to maintain the min. edge distance to mortar joints, additional concrete anchors may be required to ensure the "MAX. ON CENTER" dimension are not exceeded.
3. Concrete anchor table:

ANCHOR TYPE	ANCHOR SIZE	MIN. EMBEDMENT	MIN. CLEARANCE TO MASONRY EDGE	MIN. CLEARANCE TO ADJACENT ANCHOR
ITW TAPCON®	1/4"	1-1/4"	2"	4"
ELCO ULTRACON®	1/4"	1-1/4"	1"	4"

WOOD SCREW INSTALLATION NOTES:

1. Maintain a minimum 5/8" edge distance, 1" end distance, & 1" o.c. spacing of wood screws to prevent the splitting of wood.



7/1/15
LFS

Documents Prepared By:
Lyndon F. Schmidt
P.E. No. 43409

R.W. BUILDING CONSULTANTS, INC.
P.O. Box 230, Valrico, FL 33595
Phone No.: 813.659.9197
FBPE C.A. No. 9813

PRODUCT:	HORIZONTAL SLIDER
PART OR ASSEMBLY:	BUCK & FRAME ANCHORING

NO.	DATE	REVISIONS
1	6/25/15	UPDATE TO 5TH ED. (2014) FBC
		LFS BY

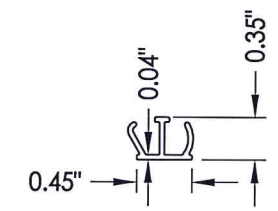
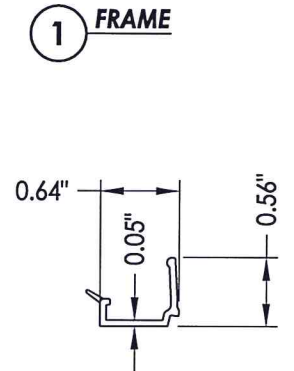
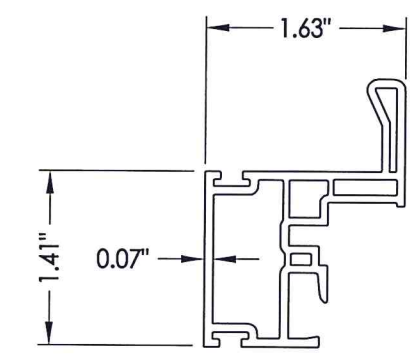
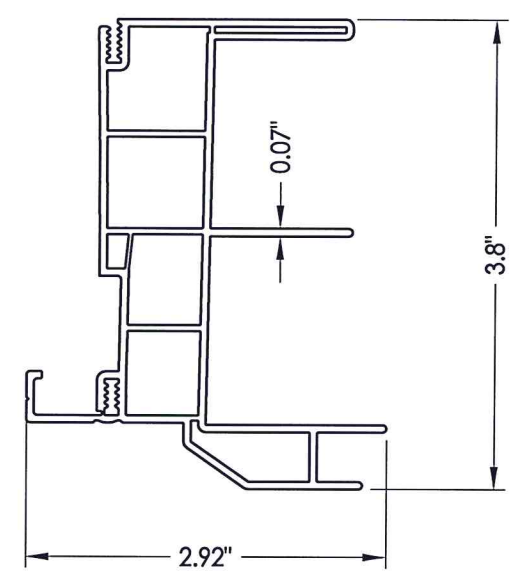
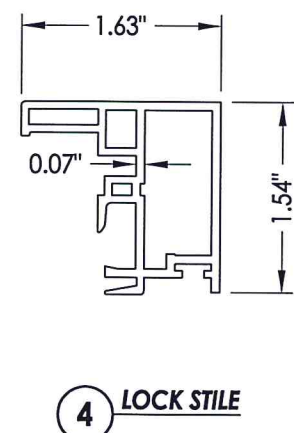
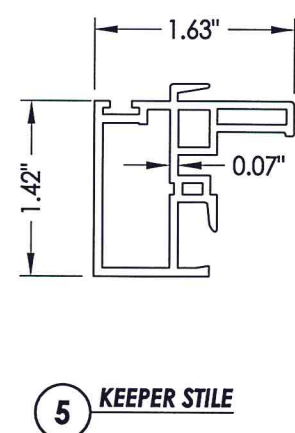
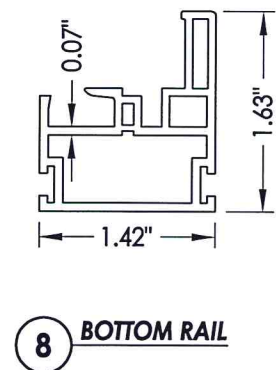
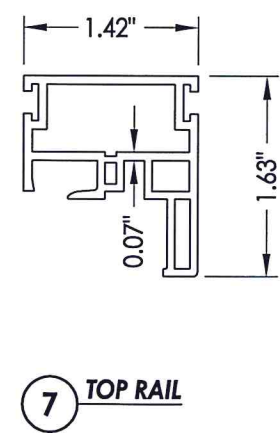
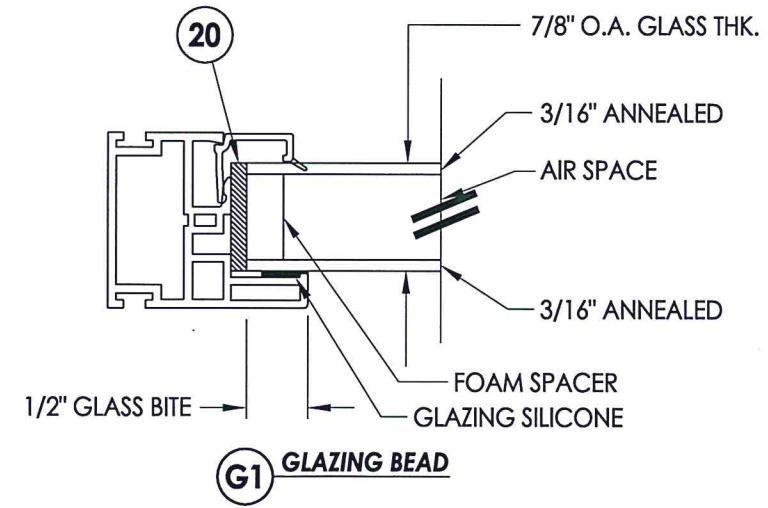
DATE:	4/17/12
SCALE:	N.T.S.
DWG. BY:	JK
CHK. BY:	LFS
DRAWING NO.:	FL-16853.16
SHEET	3 OF 4

R:\Clients\Doers PERMANENT\Florida Product Approvals\FL-16853 Windows - Horizontal Sliders\C - Drawings\FL-16853 (2014)\FL-16853.13-18.dwg, 4.16

BILL OF MATERIALS

ITEM #	DESCRIPTION	MATERIAL
A	1X BUCK (SG >= 0.42)	WOOD
B	2X BUCK (SG >= 0.42)	WOOD
C	1/4" MAX. SHIM SPACE	-
D	1/4" X 2-3/4" PFH ELCO OR ITW CONCRETE SCREW	STEEL
E	MASONRY - 3,000 PSI MIN. CONCRETE CONFORMING TO ACI 301 OR HOLLOW BLOCK CONFORMING TO ASTM C90	CONCRETE
F	#10 X 2-1/2" PPH SMS (1-3/8" MIN. EMBEDMENT)	STEEL
H	1/4" X 3-1/4" PFH ITW CONCRETE SCREW	STEEL
1	EXTRUDED VINYL FRAME * (444)	RIGID PVC
2	EXTRUDED VINYL FLANGE INSERT* (422A)	RIGID PVC
3	EXTRUDED VINYL HANDLE STILE * (475B)	RIGID PVC
4	EXTRUDED VINYL LOCK STILE * (494B)	RIGID PVC
5	EXTRUDED VINYL KEEPER STILE * (493B)	RIGID PVC
6	EXTRUDED VINYL GLAZING BEAD * (446B)	RIGID PVC
7	EXTRUDED VINYL TOP RAIL * (424B)	RIGID PVC
8	EXTRUDED VINYL BOTTOM RAIL * (424B)	RIGID PVC
9	VENT STOP (ASHLAND)(#10821)	RIGID PVC
10	ANTI-LIFT TRACK* (206)	RIGID PVC
11	SLIDER TRACK* (206)	RIGID PVC
12	REINFORCEMENT (484)	ALUM.
17	ROLLERS	-
18	LOCK ASSEMBLY (TRUTH)	STEEL
20	GLASS SETTING BLOCK	-
22	#8 X 1-1/4" FH SMS	STEEL
23	#8 X 1/2" PH SMS	STEEL

* THE APPROVED WHITE RIGID PVC EXTERIOR EXTRUSIONS FOR WINDOWS ARE TO BE PRODUCED BY EXTRUDERS LICENSEES IN "AAMA CERTIFICATION PROGRAMS FOR RIGID PVC EXTRUSIONS".



F. SCHMIDT
LICENSE
No. 43409
★

STATE OF FLORIDA
PROFESSIONAL ENGINEER

7-1-15

Documents Prepared By:
Lyndon F. Schmidt
P.E. No. 43409

R.W.
BUILDING CONSULTANTS, INC.
P.O. Box 230, Valrico, FL 33595
Phone No.: 813.659.9197
FBPE C.A. No. 9813

PRODUCT:	HORIZONTAL SLIDER						
PART OR ASSEMBLY:	BILL OF MATERIALS, GLAZING DETAIL & COMPONENTS						
REVISIONS							
	NO.	DATE	BY	LFS	FBC	UPDATE TO 5TH ED. (2014)	LFS
	1	6/25/15					
DATE:	4/17/12						
SCALE:	N.T.S.						
DWG. BY:	JK						
CHK. BY:	LFS						
DRAWING NO.:	FL-16853.16						
SHEET	4	OF	4				